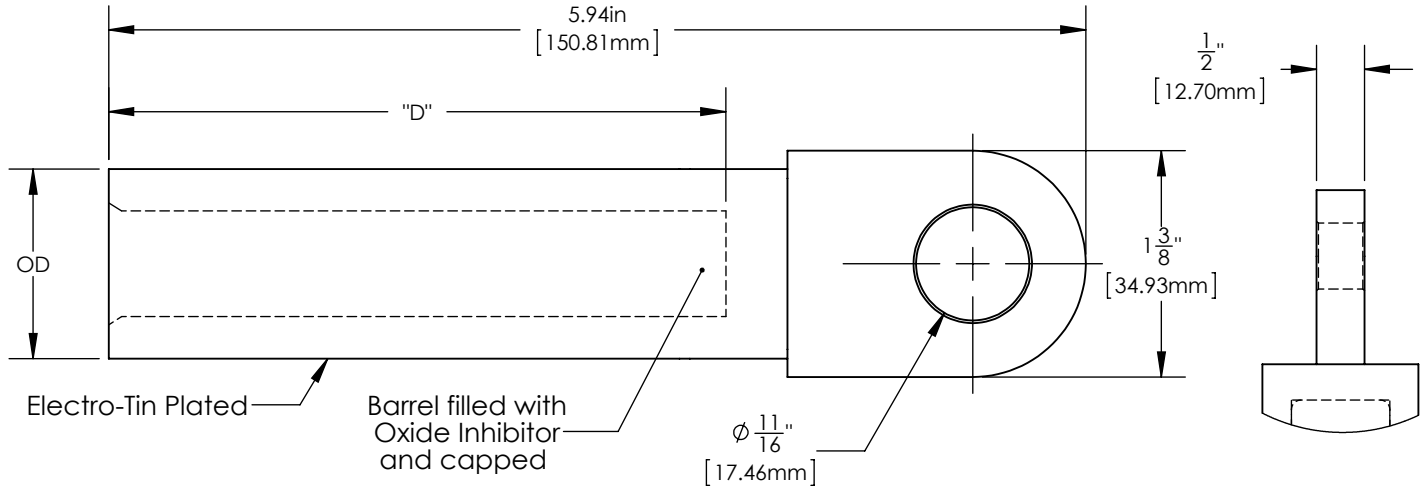


Product Specifications

600 Amp Deadbreak Compression Lug

For use with Aluminum or Copper Conductors



Size	Outer Diameter (in.)	"D" (in.)	Cable Size	
			Compact	Stranded Compressed
06	0.850	3.500	#2	---
07	0.850	3.500	#1	#2
08	0.850	3.500	1/0	#1
09	0.850	3.500	2/0	1/0
10	0.850	3.500	3/0	2/0
11	0.850	3.750	4/0	3/0
12	0.850	3.750	250	4/0
13	1.160	3.750	300	250
14	1.152	3.750	350	300
15	1.152	3.750	400	350
16	1.320	3.750	450	400
17	1.320	3.750	500/550	450
18	1.320	3.750	600	500
20	1.320	3.750	700	600
21-1	1.320	3.750	750/800	650
22	1.620	3.750	---	700
23	1.625	3.750	900	750
24	1.625	3.750	---	800
26	1.844	3.750	1000	900
28	1.840	3.750	---	1000
29	1.840	3.750	---	1250